

Gas burner

Burner size P | Heat release 3 ... 15 kW



Hegwein gas burners

Hegwein offers burner solutions for industrial use in accordance with currently applicable regulations and on the basis of technical expertise gained from more than 70 years of experience. Flexible product variants make it possible to configure burners suitable for a wide range of industrial applications. Both standard devices and customised and application-specific special solutions guarantee a high degree of quality.

Features

- **Compact modular design**
 - Integrated spark transformer, flame monitor or burner control unit
 - Reliable spare parts availability
 - Optimal electromagnetic compatibility
 - Straightforward installation and commissioning
 - Various burner series with different options available
- **Flexible operating mode**
 - 1-stage, multi-stage or modulating operation
 - High turn down ratio
- **Explosion protection**
 - Zone 1/21 and Zone 2/22 (ATEX, IECEx, FM-Ex)
- **Approvals***
DVGW, AGA, FM, EAC, SIL2/3 and cULus
- **Customised versions on request**

Benefits

- **High availability**
 - Highest operational and functional reliability
 - Electrical and mechanical components can be replaced separately
- **Flexible burner design**
 - Customer-specific/plant-specific solutions
 - Fuel flexibility
 - Optical flame monitor can be integrated
 - Configurable flame monitor safety time
 - High degree of protection for different ambient conditions
 - Standard tube lengths from 240 to 4000 mm (available in 10 mm increments)
 - Broad range of applications in industrial combustion technology, e.g. in chemical, petrochemical and thermal process plants, as well as in power plants

Gas burners | all sizes

| | | | | | | | | | |
|--------------------|-----|-----|-----|-------------|--------------|--------------|--------------|--------------|--------------|
| Heat release (kW) | 15 | 35 | 85 | 200 | 350 | 800 | 2000 | 3200 | 4500 |
| Flame length (mm) | 200 | 250 | 300 | 400 ... 500 | 600 ... 1000 | 300 ... 2500 | 300 ... 3000 | 300 ... 3000 | 300 ... 3000 |
| Tube diameter (mm) | 35 | 50 | 70 | 90 | 135 | 160 | 220 | 275 | 327 |
| Burner size | P | 0 | 1 | 2 | 3 | 4 | 5 | 6 | 7 |

Gas burners | all series

| | |
|-------|---|
| BG | No electrical components integrated |
| BT | Integrated spark transformer |
| BA | Integrated spark transformer and flame monitor for intermittent operation |
| BDA | Integrated spark transformer and flame monitor for continuous operation |
| BR | Integrated spark transformer and burner control unit for intermittent operation |
| BD | Integrated spark transformer and burner control unit for continuous operation |
| GB6/7 | Integrated ignition burner and ionisation flame monitor (optional optical flame monitoring) |

* Approval of integrated flame monitor

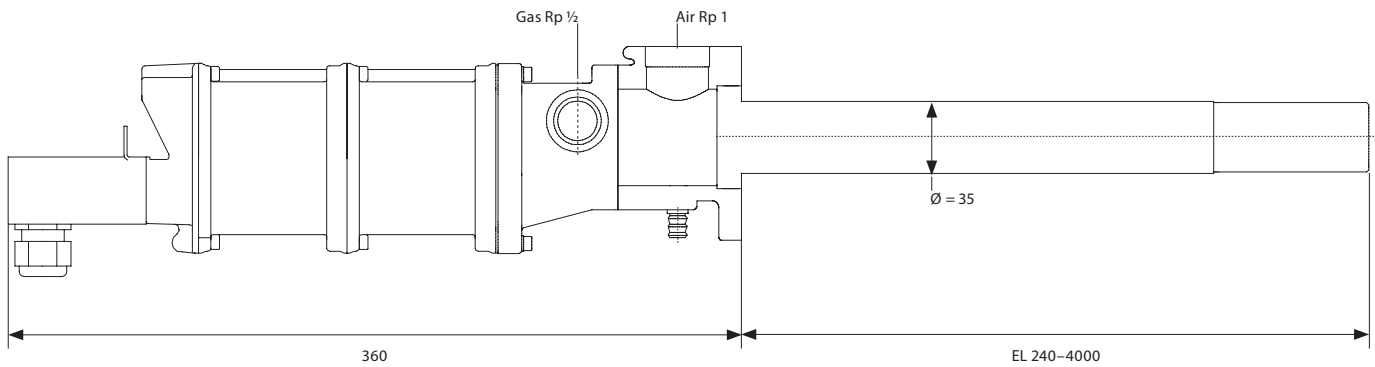
Technical data | gas burner P | 3 ... 15 kW

| | |
|-----------------------------|---------------------------------|
| Nominal heat release | 15 kW |
| Flame length | 200 mm |
| Outer tube diameter | Ø 35 mm |
| Outer tube length | 240 ... 4000 mm |
| Turn down ratio | 1:5 |
| Gas port | Rp ½ , left or right |
| Air port | Rp 1, can be rotated by 4 x 90° |

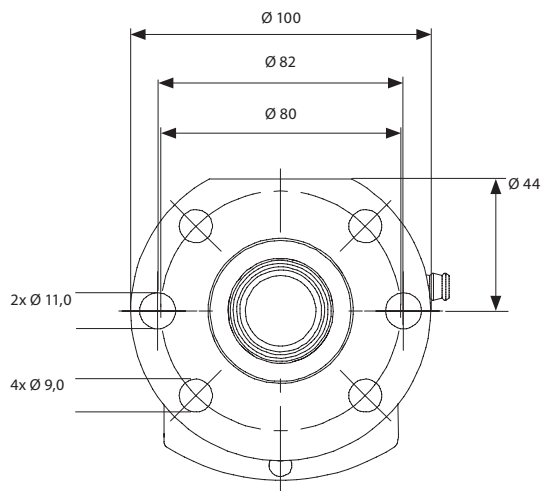
| | |
|--|---|
| Ambient temperature | -30 ... +60 °C (standard) -40 ... +80 °C (special version) |
| Protection rating | IP 54 (standard) IP 65 (special version) |
| Supply voltage | 230 VAC (standard) 115/125/250 VAC (special version) |
| Gas operating pressure | 70 mbar |
| Air operating pressure | 25 mbar |
| Gas volume flow (V_n) | 1,5 m ³ /h |
| Air volume flow (V_n) | 20 m ³ /h |

Standard specifications for natural gas, standard conditions and an outer tube length of 1 m

Gas burner size P | series BAK | side view



Mounting flange



Dimensions may vary slightly depending on specific version

Hegwein GmbH

Kornwestheimer Strasse 47
70825 Korntal-Münchingen, Germany

Phone +49 7150 3830-0

Fax +49 7150 3830-405

info@hegwein.durag.com

www.durag.com